

The AL-50D , Articulated Loader was designed by KT-Grant Inc.'s engineers to work in tight, small, work spaces. The machine's low height and narrow width makes entry in to some of the most confining areas much more accessible than that of other conventional equipment.

The articulating steering action and reliable diesel engine powers its four-wheel hydro-static drive, giving it the ability to climb through the harshest environments. The large volume bucket can then be used haul away heavy material and debris, and the hi-speed overdrive disposes of it quickly.

When space limitations, and hazardous conditions hinder the work force from entering the job site, remote radio control gives the operator the freedom to run the machine safely from outside of the work area.

Heavy steel construction, and powerful hydraulics give this machine the durability and muscle that you need to complete your material clean-up operations successfully.



## SPECIFICATIONS AL-50D

### GENERAL

Machine length:	13'-2"	(4013 mm)
Machine width:	2'-11"	(889 mm)
Machine height:	2'-9"	(838 mm)
Weight:	4,100 lbs.	(1861 kg)
Ground Clearance:	3 3/4"	( 241 mm)
Hoist Arms:	+77°, -0°	
Bucket:	+87°, -43°	
Articulation:	+30°, -30°	
Bucket Capacity:	10 Cu.Ft.	(.28 Cu.M)

### MOTOR

Engine:	Three cylinder
Type:	Diesel
Output:	46 HP @ 2,800 RPM
Fuel Capacity:	6 Gal.

### HYDRAULIC SYSTEM

Pump :	Variable Displacement
Operating pressure:	1,700 PSI (117 BAR)
Bucket hoist cylinders:	Two (2)
Bucket cylinder:	One (1)
Steering cylinder:	Two (2)
Hydro-Static Drive:	Four-Wheel Drive, 2-Speed
Low-Speed Travel:	0.9 MPH (1.5 KPH)
Hi-Speed Travel:	1.7 MPH (2.7 KPH)
Reservoir capacity:	30 GAL (114 L)

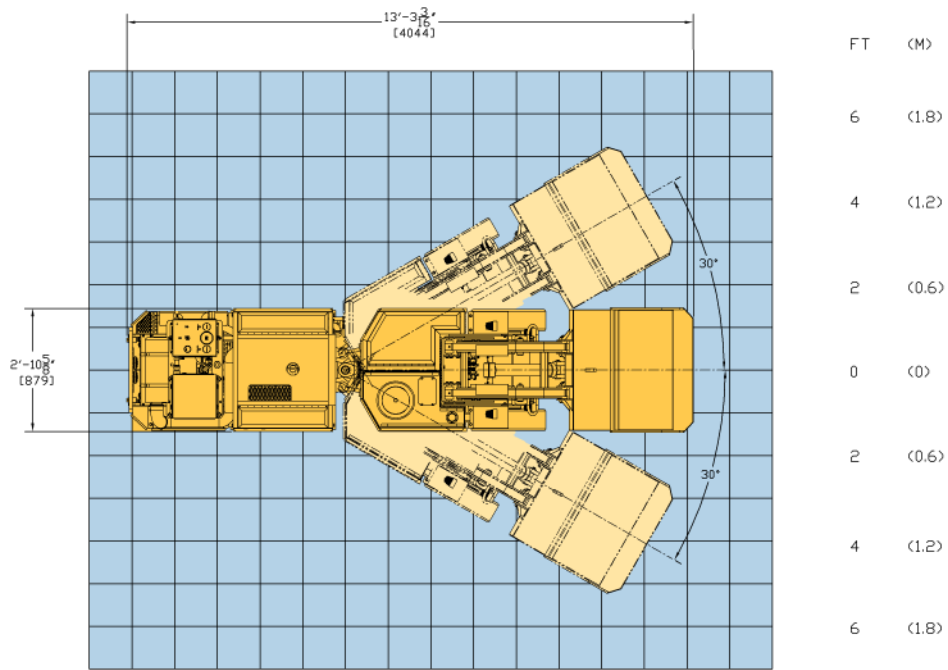
### CONTROLS

Radio control:	Push-button transmitter
Optional:	Remote pendant cable control

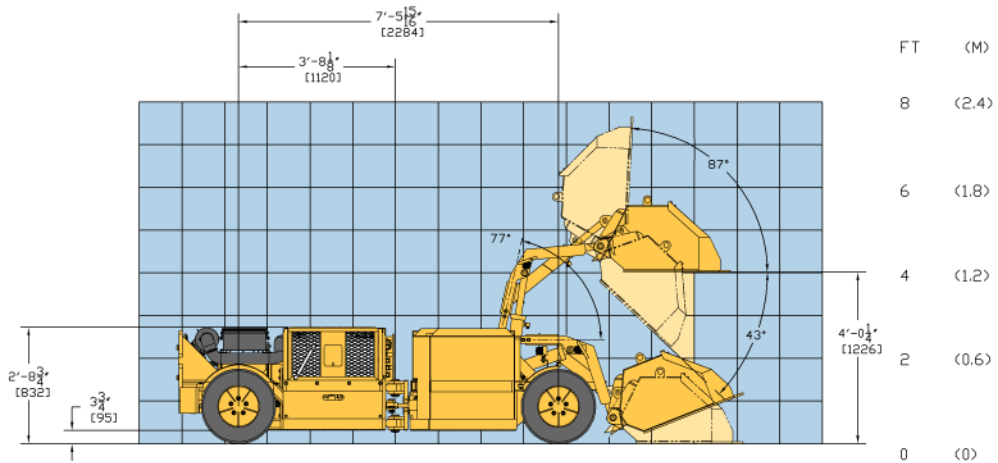
**KT-GRANT, INC.**

A Stein Company

# AL-50D OPERATING SPECIFICATIONS



FT	6	4	2	0	2	4	6	8	10
(M)	(1.8)	(1.2)	(0.6)	0	(0.6)	(1.2)	(1.8)	(2.4)	(3.0)



FT	6	4	2	0	2	4	6	8	10
(M)	(1.8)	(1.2)	(0.6)	0	(0.6)	(1.2)	(1.8)	(2.4)	(3.0)



3073 RT 66  
 Export, PA 15632  
 724-468-4700 Fax: 724-468-8188  
[www.kt-grantinc.com](http://www.kt-grantinc.com)