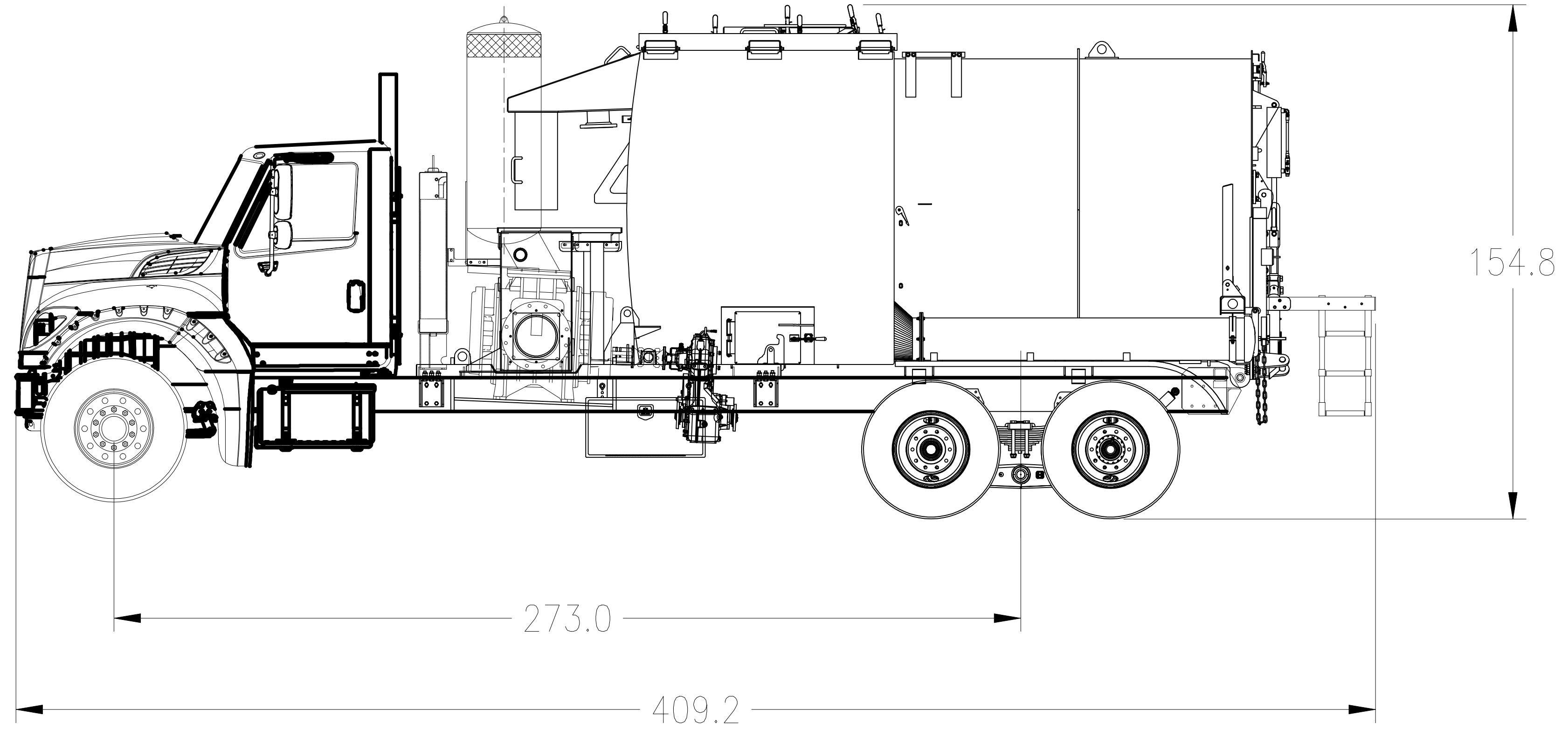
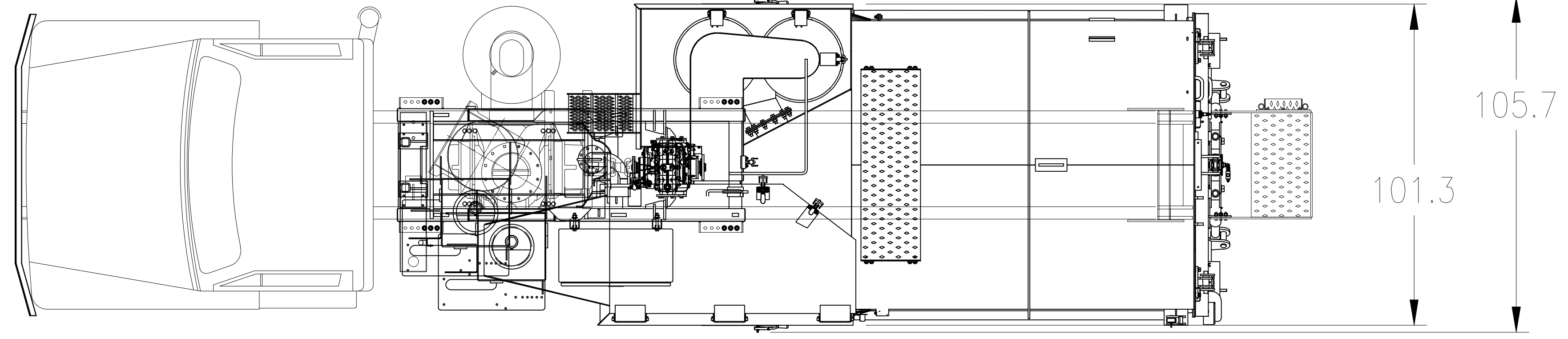


DRAWING NUMBER
AVRB14002

DRAWING NUMBER	REV.
AVRB14002	1

WEIGHT DISTRIBUTION			
	FRONT	REAR	TOTAL
MODULE	5,120 LBS	16,340 LBS	21,460 LBS
CHASSIS	9,920 LBS	8,380 LBS	18,300 LBS
TOTAL	15,050 LBS	24,720 LBS	39,760 LBS



CHASSIS:
INTERNATIONAL 7600 SFA
DEBRIS BODY CAPACITY: 18 YARDS
273" WHEELBASE
189.5" CLEAR CA
62" AF
OAW: 105.7"
OAL: 409.2"
OAH: 154.8"

UNLESS OTHERWISE NOTED THIS IS A AUTOCAD CONTROLLED DOCUMENT.

THIS PRINT IS THE PROPERTY OF GRADALL INDUSTRIES, INC. AND CONTAINS PROPRIETARY AND CONFIDENTIAL INFORMATION OF GRADALL. IT MAY NOT BE COPIED OR DISCLOSED TO ANY THIRD PARTY WITHOUT GRADALL'S WRITTEN CONSENT AND IS PROVIDED FOR THE LIMITED PURPOSE OF REVIEW AND EVALUATION.

SPECIFICATIONS	
1) DIMENSIONING AND TOLERANCING PER ASME Y14.5M-1994	
2) ALL WELDING TO STRUCTURAL WELD CODE-STEEL ANSI/AWS D1.1	
3) ALL DIMENSIONAL TOLERANCES ARE $\pm .060$	
4) MACHINE TOLERANCE TO BE $\pm .015$	
5) ALL ANGLES $\pm 1^\circ$	
6) MACH. SURF. 125	

✓ MAX

REV	ZONE	DATE	BY	DESCRIPTION	PAR	ER NO	CHKD
REVISIONS							
				GRADALL			
				TITLE: AVRB-18			
				INTERNATIONAL 7600 CHASSIS			
DRAWN BY: PLK				DATE: 04-06-11			
CHK'D BY:				MATERIAL:			
DATE:				SIZE: D			
ER NO.:				DWG NO. AVRB14002			
CAGE CODE:				SCALE:			
SIMILAR TO:				EST WT:			
				SHEET: 1 OF 1			

